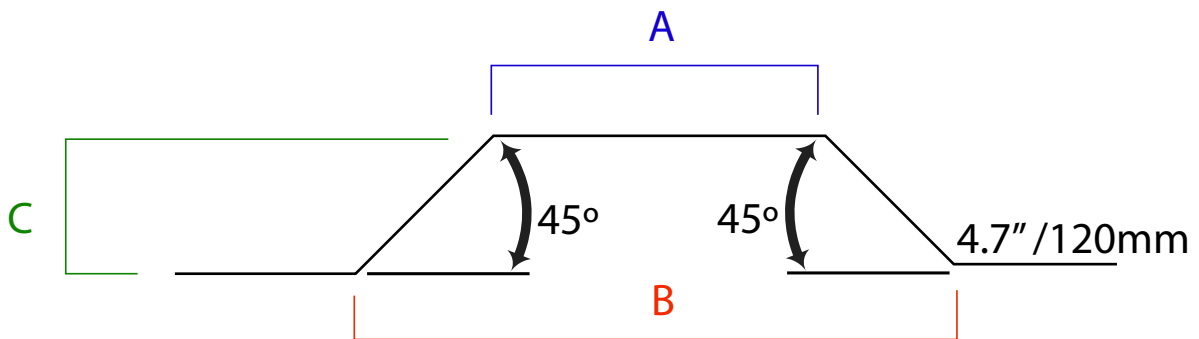


- A) _____
- B) _____
- C) _____
- D) _____

Lip around wheel well is 4.7" or 120mm



Please scan and email any questions to info@totalcomposites.com

